

## GM-FH Stainless Steel 316 Friction Hinge

### Features

- Provides constant torque throughout the entire range of motion
- Holds door open at any desired angle without torque adjustment
- Ideal for light weight doors, such as overhead door, glove box, electrical panel, equipment doors, etc.

### Product Performance

- Passed 10,000 cycle test (less than 10% loss of torque) and 20,000 cycles (less than 20% loss of torque)
- Passed 500 hours salt-spray test

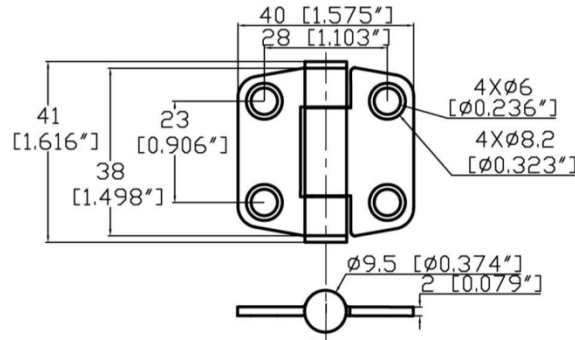
### Material

- Stainless steel 316



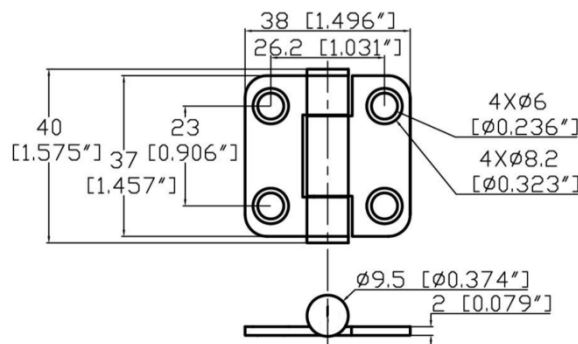
Hold door open at any angle.

### Centre Barrel Style



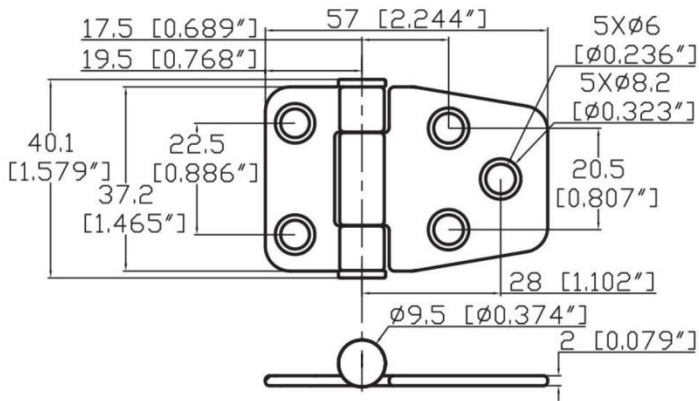
Part No.	Screw Size	Torque (per piece)
GM-FH-A219321-AL	#8 or M4	1.2 ± 0.6 N.m
GM-FH-A219321		2.2 ± 0.7 N.m

### Barrel Up Style



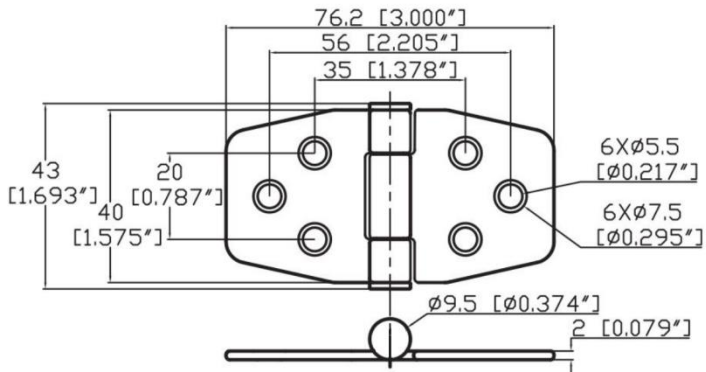
Part No.	Screw Size	Torque (per piece)
GM-FH-A319221-AH	#8 or M4	1.73 ± 0.23 N.m
GM-FH-A319221		1.5 ± 0.4 N.m

### Barrel Up Style



Part No.	Screw Size	Torque (per piece)
GM-FH-A319227	#8 or M4	1.5 ± 0.4 N.m

### Barrel Up Style



Part No.	Screw Size	Torque (per piece)
GM-FH-A319223	#8 or M4	1.6 ± 0.4 N.m